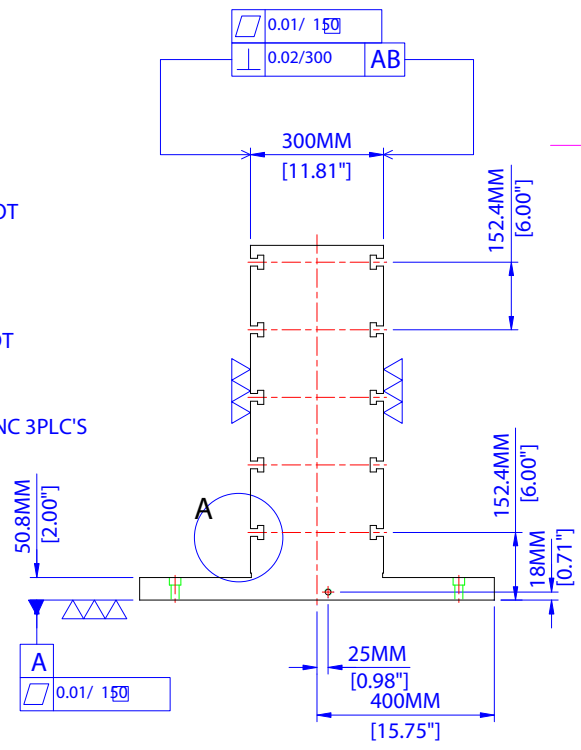
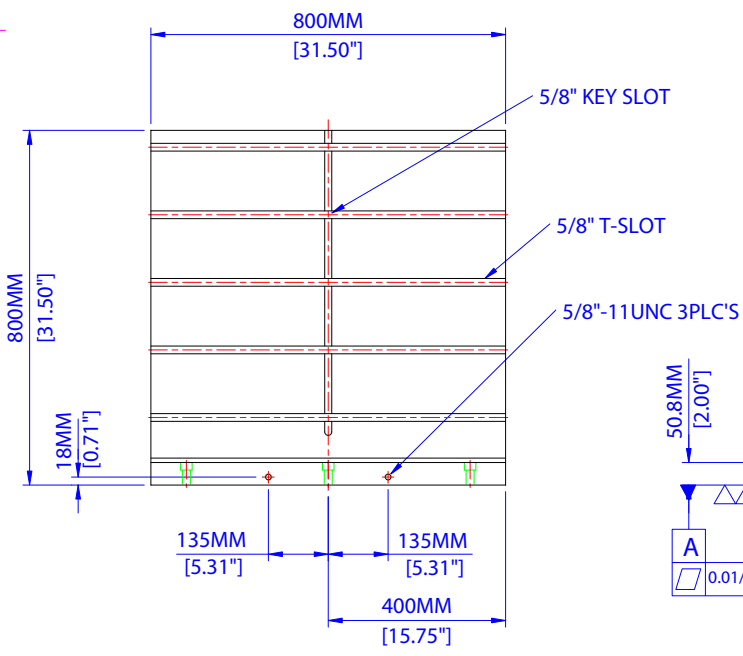
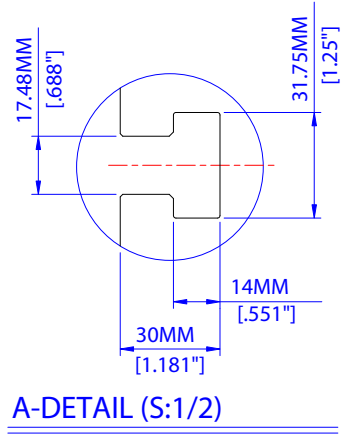
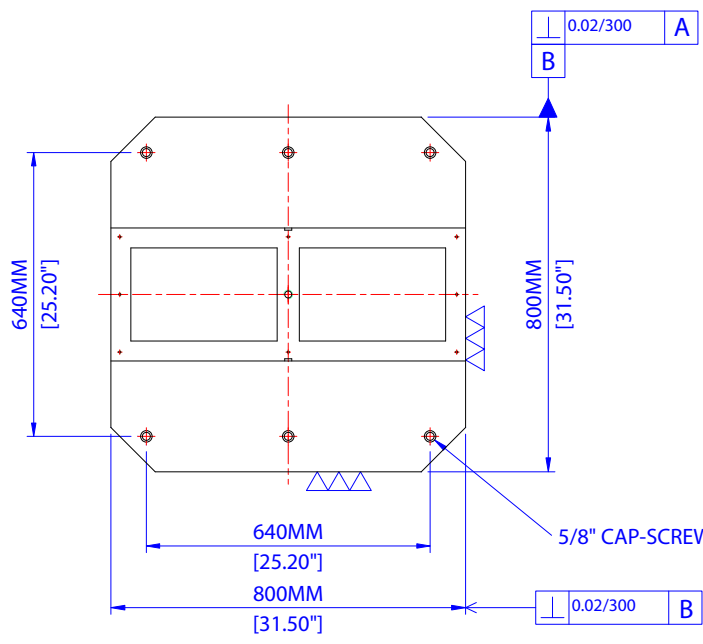


A
B
C
D
E
F



Itemref	Quantity	Title/Name, designation, material, dimension etc			Article No./Reference	
Drafted by HU-F.C.		Checked by --	Approved by - date --	File name --	Date 03/09/06	Scale 1:15
WWW.TOMBSTONECITY.COM PHONE# (631) 385-9452				TOMBSTONES >> T-STYLE WITH T-SLOT SIDES		
				AP120816		Edition A
				Sheet 1/1		