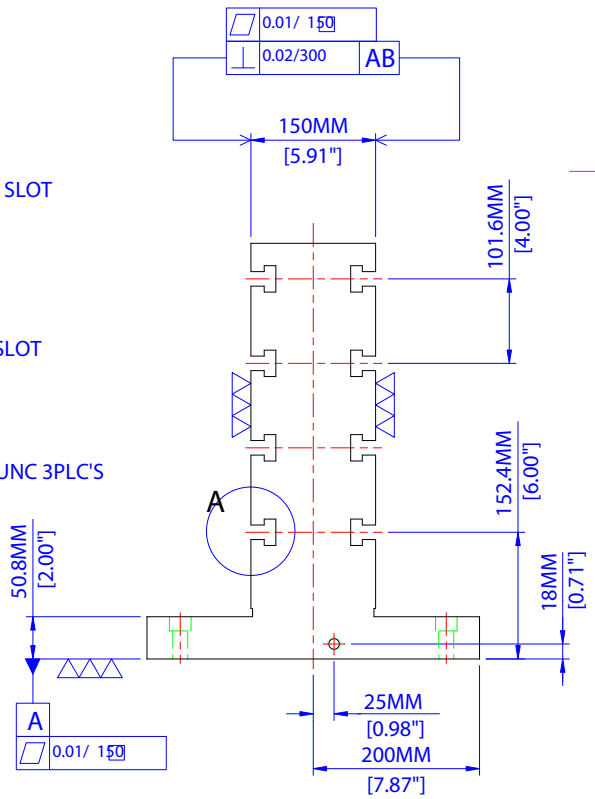
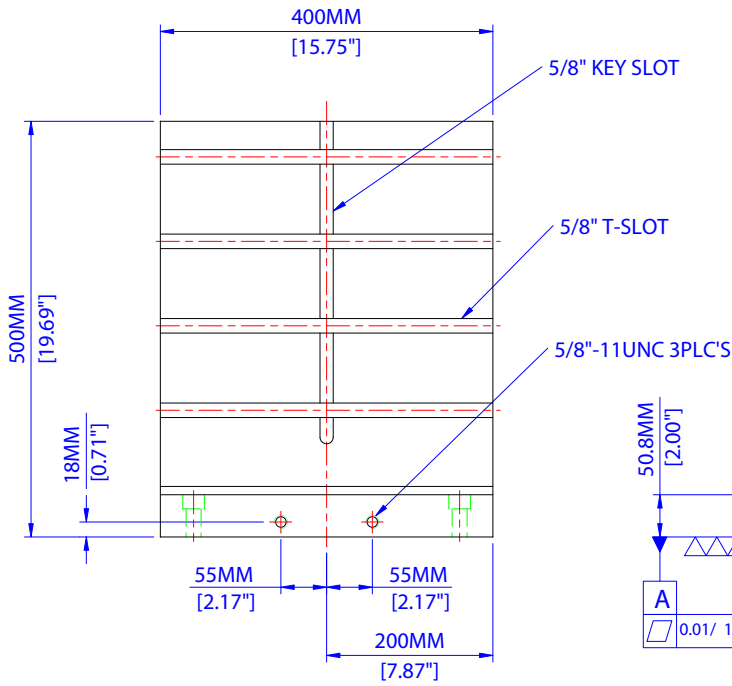
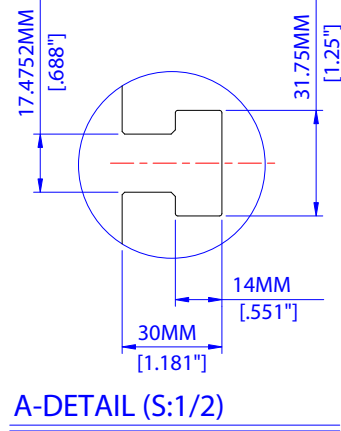
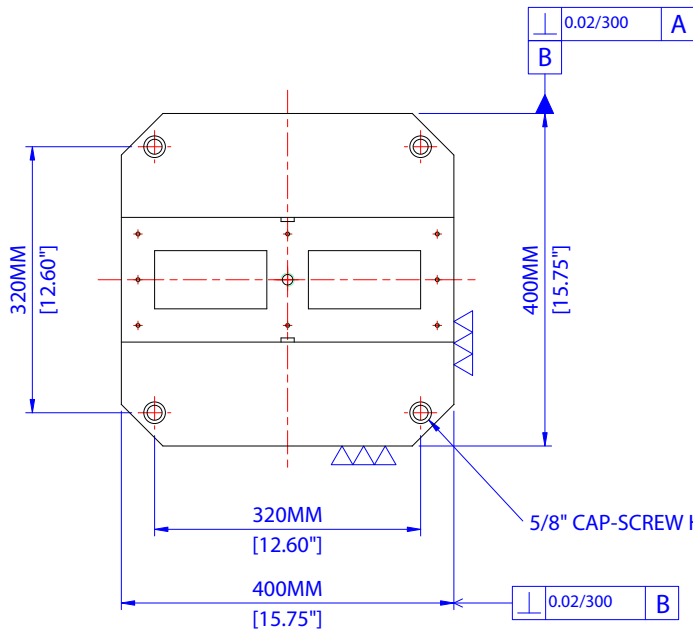


A
B
C
D
E
F



Itemref	Quantity	Title/Name, designation, material, dimension etc			Article No./Reference	
Drafted by HU-F.C.		Checked by	Approved by - date	File name	Date 2003/09/06	Scale 1:8
WWW.TOMBSTONECITY.COM PHONE# (631) 385-9452				TOMBSTONES >>T-STYLE WITH T-SLOT SIDES		
AP120516					Edition A	Sheet 1/1